

FalconLift®



www.falconlift.com

FULL ELECTRIC STACKER **"Max" series**

1500 Kg



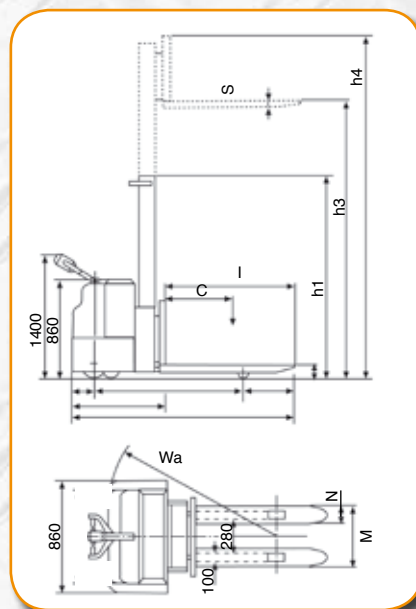
Conforms to EN1757-1 : 2001, EN1727

- **Disegno ergonomico - montante di qualità superiore**
Heavy duty design and top quality mast construction
Design ergonomique - mât de qualité supérieure
- **Massima sicurezza e comfort per l'operatore**
Outstanding comfort and safety for the driver
Grand confort d'utilisation
- **Controllo elettronico "Curtis", centralina idraulica e motoriduttore europei**
"Curtis" electronic control system, power pack and drive wheel made in Europe
Système électronique "Curtis", groupes moteur et levage de construction Européenne
- **Contatore e controllo scarica batteria "Curtis"**
Hourmeter and battery discharge indicator
Horamètre et contrôleur de charge "Curtis"
- **Timone "Rema"**
"Rema" tiller
Timon "Rema"



Fornibile anche in versione 1200 Kg
Available also with 1200 Kg version
Disponible en option 1200 Kg

MODELLO / MODEL / MODELE	FLMAX1529	FLMAX1533	
Portata / Capacity / Capacité	1500 kg		
Alt. max forche / Max. forks height / Hauteur de levee	2900 mm	3300 mm	
Alt. min. forche / Min. forks height / Hauteur fourches min.	90 mm		
Lunghezza forche / Forks length / Longueur fourches	1150 mm		
Larghezza forche / Overall forks width / Largeur fourches	540 mm		
Velocità / Travelling speed / Vitesse de déplacement	Without load 5.5 Km/h With full load 4.8 Km/h		
Sollevamento / Lifting speed / Vitesse de levee	Without load 144 mm/s With full load 95 mm/s		
Discesa / Lowering speed / Vitesse de descente	Without load 150 mm/s With full load 65 mm/s		
Motore T / Motors traveling / Moteur de déplacement	1.2KW/24V		
Motore S / Motors lifting / Moteur de levage	2.2KW/24V		
Batteria / Battery / Batterie	service free 200Ah/24V		
Carica Batt. / Battery Charger / Chargeur	40Ah/24V		
Batteria di trazione / Traction Battery / Batterie de traction	option 240Ah/24V		
Rulli / Front Roller / Galets	Ø 78 x 70 mm		
Ruote / Rear wheels / Roues	Ø 150 x 75 mm		
Ruota motrice / Drive wheel / Roue directionelle	250 x 80 mm		
Peso Netto / Net Weight / poids	692 Kg	714 Kg	
Dimensioni / Overall dimensions / Dimension	X	460 mm	
	S	56 mm	
	X2	200 mm	
	Y	1270 mm	
	L2	780 mm	
	L	1930 mm	
	N	160 mm	
	h1	2025 mm	2225 mm
	h4	3544 mm	3944 mm
	B	940 mm	1080 mm
	Wa	1525 mm	1540 mm



DEALER