

FalconLift®



www.falconlift.com

SEMI-ELECTRIC STACKER **"Idol" series**

1000 Kg



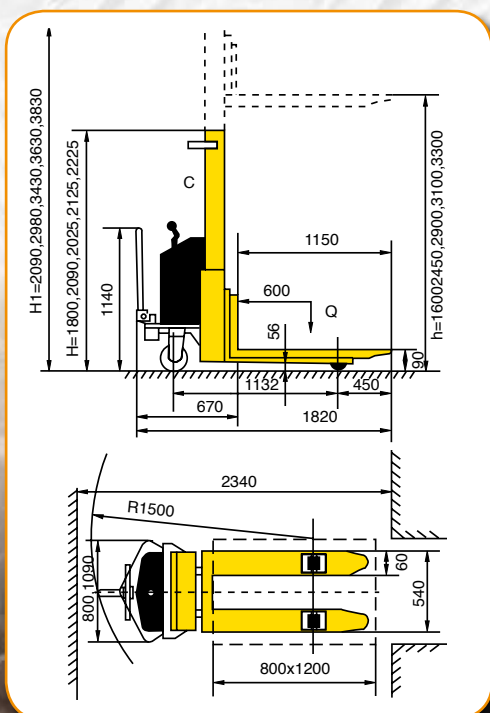
- **Disegno ergonomico - montante di qualità superiore**
Heavy duty design and top quality mast construction
Design ergonomique - mât de qualité supérieure
- **Massima sicurezza per l'operatore**
Safety guard on load roller and steering wheel
Grand confort d'utilisation



MODELLO / MODEL / MODELE

FLIDOL1029 FLIDOL1033

Portata / Capacity / Capacité	1000 kg
Alt. max forche / Max. forks height / Hauteur de levee	2900 mm/s 3300 mm/s
Sollevamento / Lifting speed / Vitesse de levee	95 mm/s
Sollevamento / Lifting speed / Vitesse de levee	127 mm/s
Elettropompa / Power Pack / Moteur de levage	1500 W
Batteria / Battery / Batterie	Service free 120Ah/12V
Carica Batt. / Battery Charger / Chargeur	12A/12V
Ruote / Steering wheel / Roues directrices	Ø 180 x 50 mm
Rulli / Load roller / Galets	Ø 82 x 70 mm
Dimensioni / Overall Dimensions / Dimensions	L 1820 x W 800 x H 2025 mm L 1820 x W 1000 x H 2225 mm
Peso Netto / Net Weight / Poids	490 Kg 550 Kg



DEALER